

# Sentinel

## Kinetic MVHR Range

Installation of the unit in the Opposite Orientation (LH Condensate)



### Stock Ref. N°

438222	Kinetic B Right
443319	Kinetic BH Right
408167	Kinetic FH Right
443028	Kinetic Plus B Right
408449	Kinetic High Flow Right

**Vent-Axia®**

Read in conjunction with Sentinel Kinetic MVHR Installation & Commissioning

CE

If the orientation of the condensate exit (and the atmosphere spigots) would be better suited on the left of the unit, the front Control Unit and the rear Cable Inlet Plate can be swapped over to allow the unit to be installed in the opposite orientation.

## Installing the Unit in the Opposite Orientation (LH Condensate)

Installing the unit in the opposite orientation involves removing the front cover (and associated Control Unit Panel), and the rear cover (and associated Cable Inlet Plate), rotating the unit chassis and covers through 180 degrees and then re-attaching them.

This moves the condensate drain exit from the right (rear) corner of the unit to the left (front) corner of the unit, when viewed from the front (viewing the Control Unit).

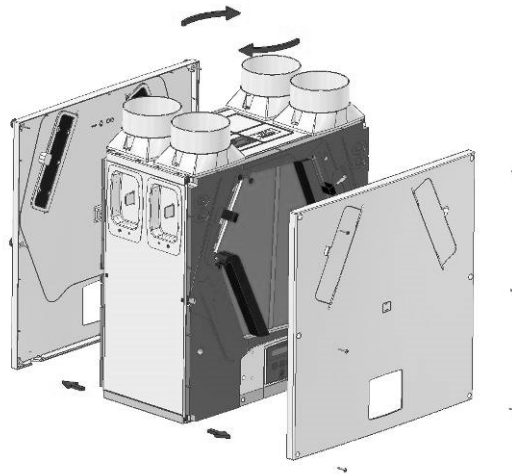


Figure 1: Installing the Unit in the Opposite Orientation

Remove the front and rear covers by unscrewing the fixing screws on both covers (see Figure 1).

Six screws for the Kinetic.

Eight screws for the Kinetic Plus

Remove the 2 screws and detach the Electrical Cover from the front of the unit (see Figure 2).

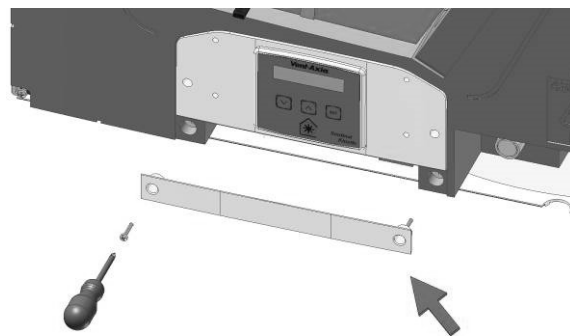
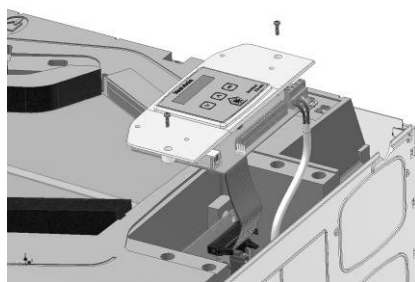


Figure 2: Detaching the Electrical Cover (Front of Unit)

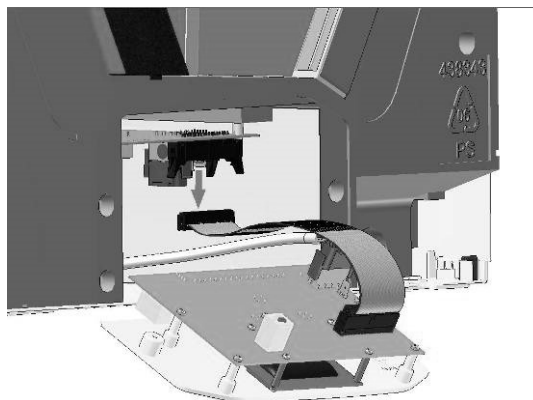
Remove the 2 screws and detach the Control Panel and disconnect the mains lead.

(see *Figure 3*).



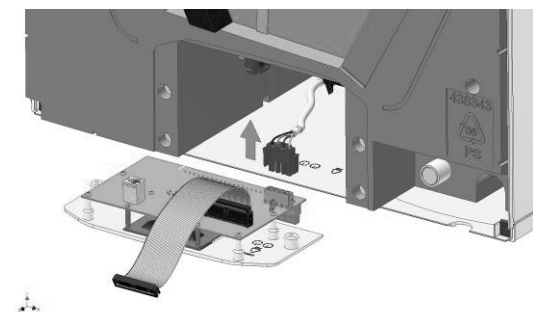
*Figure 3: Detaching the Control Panel (Front of Unit)*

Disconnect the ribbon cable (see *Figure 4*).



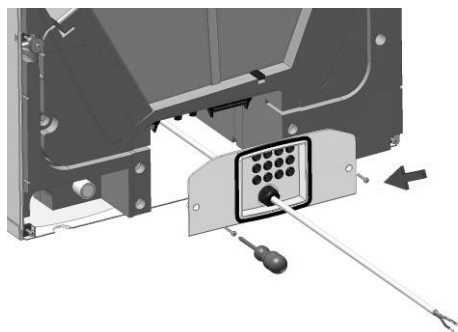
*Figure 4: Disconnecting the Ribbon cable (Front of Unit)*

Disconnect the 4-way connector (see *Figure 5*).



*Figure 5: Disconnecting the 4-way connector (Front of Unit)*

Remove the 2 screws and detach the rear Cable Inlet Plate (see *Figure 6*).



*Figure 6: Removing the Cable Inlet Plate (Rear of Unit)*

Re-attach the Cable Inlet Plate on the opposite side of the unit.

Fit the Control Panel on the opposite side of the unit. Taking care to reconnect the ribbon cable and internal 4-way connector to the control panel before securing the panel to the unit.

**Note: Cable ribbon connector is polarised to ensure correct fitting.**

Re-connect the mains cable: L, N, E,LS.

Re-attach the Electrical Cover.

Re-attach the front and rear covers off the unit.

**Note: When the unit is converted from RH to LH the blue Vent-Axia logo will then be facing the wall.**



## The **Vent-Axia** Guarantee

Applicable only to products installed and used in the United Kingdom. For details of guarantee outside the United Kingdom contact your local supplier.

Vent-Axia guarantees its products for two years from date of purchase against faulty material or workmanship. In the event of any part being found to be defective, the product will be repaired, or at the Company's option replaced, without charge, provided that the product:-

- Has been installed and used in accordance with the instructions given with each unit.
- Has not been connected to an unsuitable electricity supply. (The correct electricity supply voltage is shown on the product rating label attached to the unit).
- Has not been subjected to misuse, neglect or damage.
- Has not been modified or repaired by any person not authorised by the company.

### IF CLAIMING UNDER TERMS OF GUARANTEE

Please return the complete product, carriage paid to your original supplier or nearest Vent-Axia Centre, by post or personal visit. Please ensure that it is adequately packed and accompanied by a letter clearly marked "Guarantee Claim" stating the nature of the fault and providing evidence of date and source of purchase.

The guarantee is offered to you as an extra benefit, and does not effect your legal rights

# **Vent-Axia**

Head Office: Fleming Way, Crawley, West Sussex, RH10 9YX.

**UK NATIONAL CALL CENTRE**, Newton Road, Crawley, West Sussex, RH10 9JA

SALES ENQUIRIES: Tel: 0344 8560590 Fax: 01293 565169

TECHNICAL SUPPORT Tel: 0344 8560594 Fax: 01293 532814

For details of the warranty and returns procedure please refer to [www.vent-axia](http://www.vent-axia) or write to Vent-Axia Ltd, Fleming Way, Crawley, RH10 9YX