



SQAIR VALVE

Ventilate quietly and stylishly

The SQair valve combines both a supply and discharge valve within one single sleek look. The ventilation system is thus integrated into the design of a home in a simple and uniform way. Additional acoustic material has been integrated into the supply valve to ensure whisper-silent ventilation. The deflectors allow you to control the airflow direction in such a way that dirt deposits in corners are prevented.

SQair pulsion valve [Deluxe]

76050400

Aluminium version [RAL9010]
Removable front panel [magnetic fixing]
With acoustic damper
With deflectors



SQair extraction valve [Deluxe]

76050401

Aluminium version [RAL9010]
Removable front plate [magnetic fixing]



SQair pulsion valve [Basic]

76050403

uPVC model [RAL9010]
Removable front panel [clamp into place]
With acoustic damper



SQair extraction valve [Basic]

76050404

uPVC model [RAL9010]
Removable front plate [clamp into place]



Filter SQair pulsion valve

76050406

Compatible with the SQair Pulsion Basic and the SQair Pulsion Deluxe valves



TECHNICAL DATA SHEET:

SQair valve

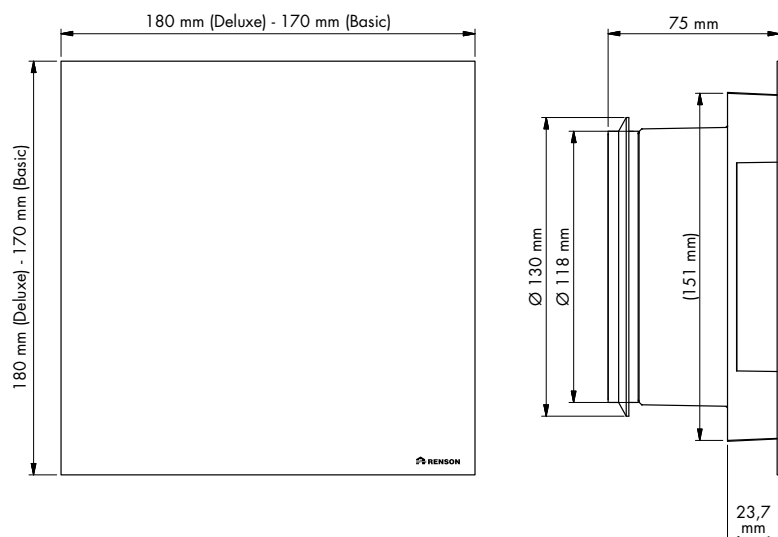
PRODUCT DESCRIPTION

- Adjustable valve available in 4 versions
 - Extraction valve:
 - Deluxe: aluminium front plate [lacquered RAL 9010]
 - Basic: synthetic front plate RAL 9010 [coloured plastic]
 - Pulse valve:
 - Deluxe: aluminium front plate [lacquered RAL 9010]
 - Basic: synthetic front plate RAL 9010 [coloured plastic]
- Construction: grid base + front plate
- Protrudes only 24 mm from the ceiling or the wall
 - The wider front plate conceals the ventilation openings
- Direct connection onto the air ducts
 - Ø 125 mm
 - Integrated rubber gasket for airtight connection
- Front plate:
 - Deluxe: attached with magnets to the grid base
 - Basic: snaps on the grid base
 - Easily disassembled for cleaning
 - Thanks to the locknut the settings remain during cleaning
- The pulse valve is provided with acoustic material
 - Prevents whistling noise at the valve
- The Deluxe pulse valve has 2 deflectors
 - 2 of the 4 ventilation opening can be closed using the deflectors
 - For example: If the valve is installed close to a wall, this side can be closed to prevent the collection of dust (will affect the flow rate)



PACKAGING

- ART. no.:
 - 76050400 Deluxe pulse
 - 76050403 Basic pulse
 - 76050401 Deluxe extraction
 - 76050404 Basic extraction
- Dimensions: 200 x 190 x 85 mm



TECHNICAL DATA SHEET:

SQair valve

PRODUCT FEATURES

	DELUXE	BASIC
Front plate	Aluminium	Synthetic (ASA)
Dimensions front plate	180 x 180 mm	170 x 170 mm
Dimensions grid base	150 x 150 mm	150 x 150 mm
Colour	RAL 9010	RAL 9010
Attachment	Magnets	Snap-on
Paintable	Yes	-
Acoustic material	Yes [pulse]	Yes [pulse]
Deflectors	2	-
Dimensions deflector	92 x 20 mm	-

EXTRACTION

Q [m³/h]	Q [l/s]	100% open		66% open		33% open	
		dP [Pa]	LwA [dB(A)]	dP [Pa]	LwA [dB(A)]	dP [Pa]	LwA [dB(A)]
30	8.3	2	15,0	3	14,8	14	17,9
50	13.9	6	16,9	10	20,0	40	30,2
60	16.7	8	20,3	15	24,6	56	34,7
75	20.8	13	25,5	23	31,4	82	40,5

PULSE without acoustic material

Q [m³/h]	Q [l/s]	100% open		66% open		33% open	
		dP [Pa]	LwA [dB(A)]	dP [Pa]	LwA [dB(A)]	dP [Pa]	LwA [dB(A)]
30	8.3	3	15,0	5	15,1	14	24,5
40	11.1	6	16,3	8	18,8	25	33,5
50	13.9	8	17,5	12	22,5	37	39,9
60	16.7	11	19,3	17	28,0	54	45,5
75	20.8	16	24,5	26	35,0	83	51,5

PULSE with acoustic material

Q [m³/h]	Q [l/s]	100% open		66% open		33% open	
		dP [Pa]	LwA [dB(A)]	dP [Pa]	LwA [dB(A)]	dP [Pa]	LwA [dB(A)]
30	8.3	9	16,0	19	17,6	58	21,0
50	13.9	19	23,0	41	26,0	131	35,4
60	16.7	25	26,6	55	29,6	180	40,9
75	20.8	37	32,3	78	35,0	263	46,3